



Weatherford®

Plunger Lift

Union Lubricator

Bowen union lubricator is a spring-loaded receiver that cushions the arrival of the plunger at the surface while enabling easy access for wireline units.

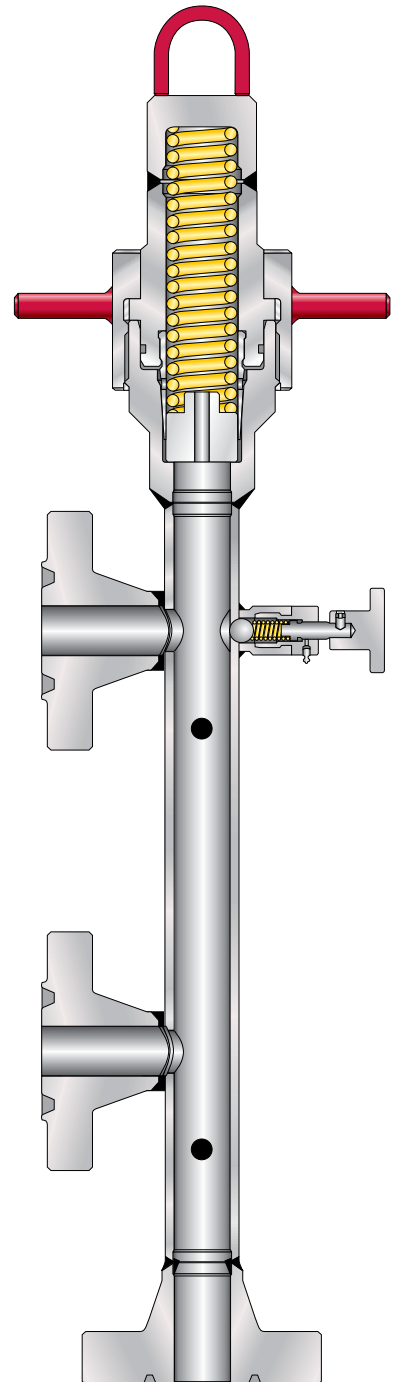
The lubricator is available in 2 3/8- and 2 7/8-in. (60.325- and 73.025-mm) sizes. It is built from alloy steel 4130 or 4140 with a Rockwell Hardness C-Scale of <22.

Applications

- Well completions and workovers using the common Bowen union on swab trucks, wireline cable, coiled tubing, service rigs, and blowout preventers (BOPs)

Features, Advantages and Benefits

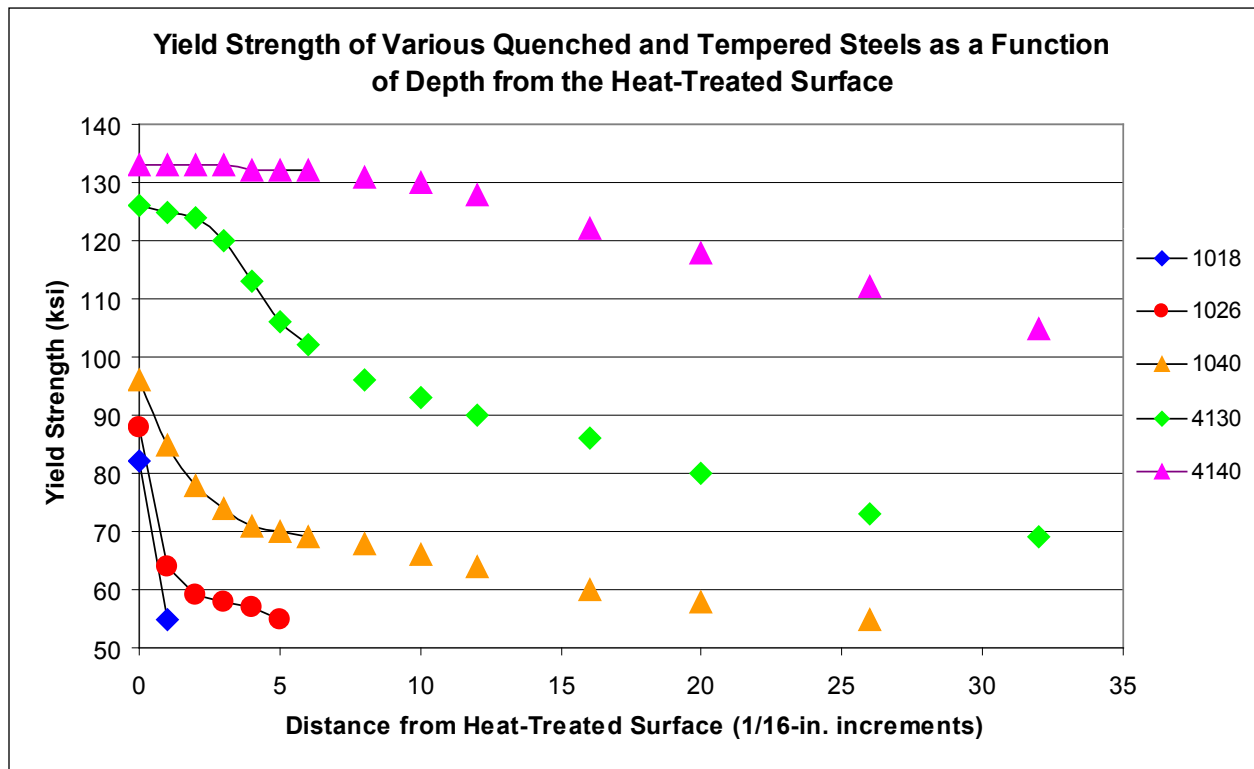
- Access to the top-spring shock absorber makes the lubricator easy to inspect, assemble, and disassemble.
- The union attaches directly to wireline BOPs without an external upset end thread, collar, and male connection, saving rig time.
- The efficient O-ring seals require only hand-tight connections without a pipe wrench, which speeds opening and closing the lubricator and promotes safety.
- The two 1/2-in. (12.7-mm) tie-in ports provide chemical tie-ins or an extra bleed, assisting in cold-weather operation.
- The 2-in. (50.8-mm) flow outlets are the maximum ports, facilitating the passage of debris and reducing obstructions in the primary gas-flow path after plunger arrival.





Union Lubricator

Historically lubricators have been made of a lower yield-strength carbon steel, but Weatherford's heavy-duty lubricators are fabricated from a premium alloy material that surpasses the industry standard. Low alloy lubricators have an increased hardening depth, which increases the through-section properties thus resulting in a more robust product. This feature minimizes failure, saving lost time and production.



Options

- The lubricator can be customized for high pressure, sour service, and flanged applications.
- A simple manual plunger catcher or an automatic catcher for best performance can be installed without major changes to the lubricator body.