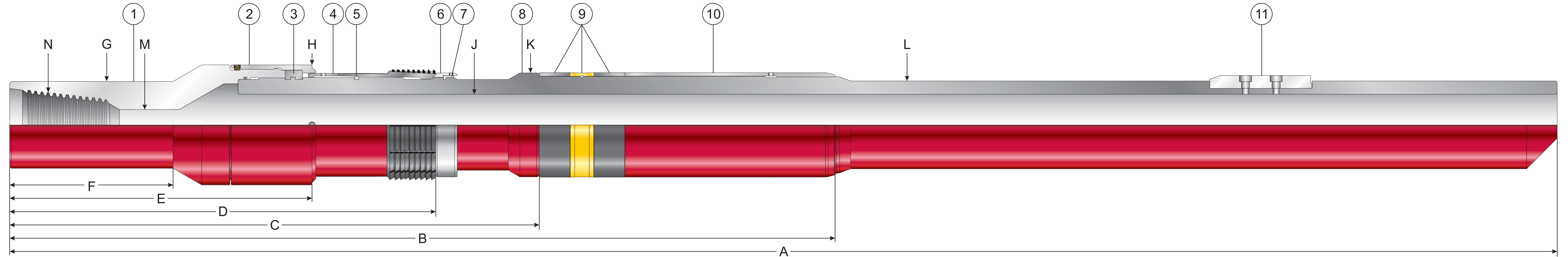




Weatherford[®]

PakLatch™ Latch



Ref.	Description
1	Top sub
2	Connector sleeve
3	Split ring
4	Collet
5	Stop ring
6	Collet support

Ref.	Description
7	Shear ring
8	Mandrel
9	Seal stack
10	Seal retainer
11	Orientation key

Size (in./mm)	Product Number	Dimensions (in./mm)													Thread Connection (in.)
		A	B	C	D	E	F	G	H	J	K	L	M	N	
5-1/2 139.70	752778	60.22 1,529.33	34.66 880.36	22.23 564.64	17.90 454.66	12.00 304.80	7.25 184.15	4.375 111.13	4.435 112.65	1.750 44.45	3.738 94.95	2.950 74.93	1.75 44.45	2-3/8 IF	
7 177.8	742197	75.80 1,925.32	40.42 1,026.67	25.94 658.88	20.61 523.49	14.72 373.89	8.20 208.28	4.75 120.65	5.87 149.10	3.00 76.20	5.09 129.29	4.28 108.71	2.69 68.33	3-1/2 IF	
9-5/8 244.48	280975	105.96 2,691.38	60.39 1,533.91	33.66 854.96	27.98 710.69	21.60 548.64	12.50 317.50	6.19 154.75	8.27 209.30	5.00 127.00	7.485 190.12	6.635 168.53	3.75 95.25	4-1/2 IF	