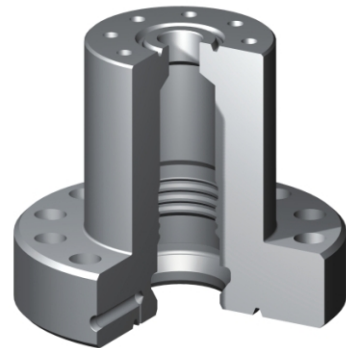




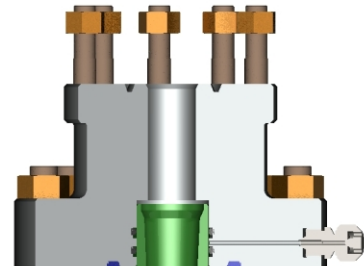
Tubing Spool Adapters

Weatherford's tubing spool adapters help maximize fluid production and injection efficiency. The full line of adapters represents the latest in completion technology for optimal transition from wellhead to Christmas tree. The adapters can be used alone to suspend the tubing string or in conjunction with Weatherford's WFT-TCW wraparound tubing hanger. The wraparound hanger enables the operator to land the tubing through the blowout preventer (BOP), install the Christmas tree, and then stimulate and complete the well—all under full control.

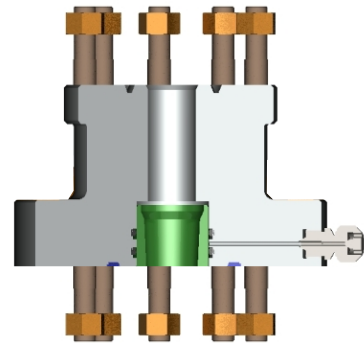
The **WFT-O2 adapter** is used to make up the tree and the entire assembly and is installed by rotating it onto the WFT-02 tubing coupling, saving considerable time and installation costs.



The **WFT-A5P-EN extended-neck adapter** provides a secure interface between the spool and Christmas tree and is used with the WFT-TCIA-EN extended-neck tubing hanger. It is available with downhole control line inlets.



The **WFT-A4-EN extended-neck double-studded adapter (DSA)** is similar to the WFT-A5P-EN model, with the addition of studded connections both top and bottom.

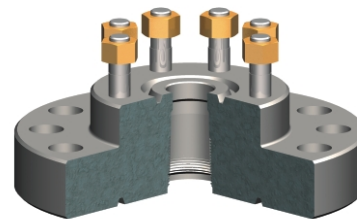
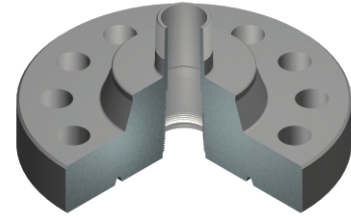




Tubing Spool Adapters

The **WFT-B1 adapter** is an economical solution for well completions requiring a threaded Christmas tree or direct transition to pumping equipment. Well control is maintained with an annulus seal. This adapter is available in pressure ratings from 2,000 to 5,000 PSI.

The **WFT-B2P adapter** features a lower-flange X-studded top arrangement that provides for transition from any wellhead configuration to the optimal Christmas tree for the application. This adapter is available in pressure ratings from 2,000 to 5,000 PSI.



Adapter bodies are made from forged steel, fully grained—not a porous casting that could fail and cause the loss of a string. Suspending thread connections are API upset tubing. Couplings can be threaded with premium internal threads on request.

Advantages and Benefits

- Maximal fluid production and injection
- Faster installation for time and cost savings
- Most cost-effective solution for any given application
- Highly reliable high-pressure connections for enhanced safety
- Greater durability and ease of maintenance for reduced downtime

Applications

- WFT-02 adapter is for completions up to 15,000 PSI requiring string manipulation with BOP protection and downhole control lines.
- WFT-B series adapters team with wraparound tubing hangers for high-pressure, critical well completions.
- WFT-B1 adapter is for well completions requiring a threaded Christmas tree or direct transition to pumping equipment; for pressures up to 5,000 PSI and temperatures from -20 to +250°F.
- WFT-B2P adapter transitions any well configuration to any Christmas tree; for pressures up to 10,000 PSI and temperatures from -20 to +250°F.
- WFT-A5P-EN and WFT-A4-EN extended-neck adapters team with the WFT-TC1A-EN extended-neck tubing hangers to safely contain pressures and fluids within the tubing bore.



Tubing Spool Adapters

Specifications

| WFT-B2P Adapter ^a | | | | |
|------------------------------|------------------------|------------------|------------------------|--------------------------------------------------|
| Bottom Flange (in.) | Working Pressure (PSI) | Top Flange (in.) | Working Pressure (PSI) | Thread Connection ^b (UPTBG THD) (in.) |
| 7-1/16 | 2,000 | 2-1/16 | 2,000 | 2-3/8 |
| | | 2-9/16 | | 2-7/8 |
| | | 3-1/2 | | 3-1/2 |
| | 3,000 | 2-1/16 | 3,000 | 2-3/8 |
| | | 2-9/16 | 2,000 | 2-7/8 |
| | | 3-1/2 | 3,000 | 3-1/2 |
| 5,000 | 2-1/16 | 5,000 | 2-3/8 | |

a. Other sizes available on request

b. Premium threads available on request

| WFT-02 Adapter and Coupling ^a | | | | | | |
|------------------------------------------|------------------------|-------------------------------|------------------------|--------------------------------------------------|------------------------------------------|----------------|
| Bottom Flange (in.) | Working Pressure (PSI) | Top Standard Connection (in.) | Working Pressure (PSI) | Thread Connection ^b (UPTBD THD) (in.) | Coupling Anchor Thread (4-Acme-2G) (in.) | |
| 7-1/16 | 3,000 | 2-1/16 | 5,000 | 2-3/8 | 4 | |
| | | 2-9/16 | | 2-7/8 | | |
| | | 3-1/8 | | 3-1/2 | | |
| | 5,000 | 2-1/16 | 5,000 | 2-3/8 | 4 | |
| | | 2-9/16 | 5,000 | 2-7/8 | | |
| | | 3-1/8 | 3,000 to 5,000 | 3-1/2 | 5 | |
| | 10,000 | 10,000 | 2-1/16 | 10,000 | 2-3/8 | 4 |
| | | | 3-1/8 | 5,000 | 3-1/2 | 5 ^c |
| | | 2-9/16 | 10,000 | 2-7/8 | 4 | |
| | | | 5,000 | 2-3/8 | 4 | |
| | | 2-9/16 | 5,000 | 2-7/8 | 4 | |
| | | | 10,000 | 3-1/2 | 5 | |
| 11 | 10,000 | 3-1/16 | 10,000 | 3-1/2 | 6 | |
| | 5,000 | 4-1/16 | 5,000 | 4-1/2 | 6 | |
| | 10,000 | 4-1/16 | 5,000 | 4-1/2 | 6 | |
| 10,000 | | | | | | |

a. Other sizes available on request

b. Premium threads available on request

c. Larger threads for higher-capacity application