



CREATE A BRIDGE TO THE WEB

Walter Goodwater

CygNet Software Development Manager

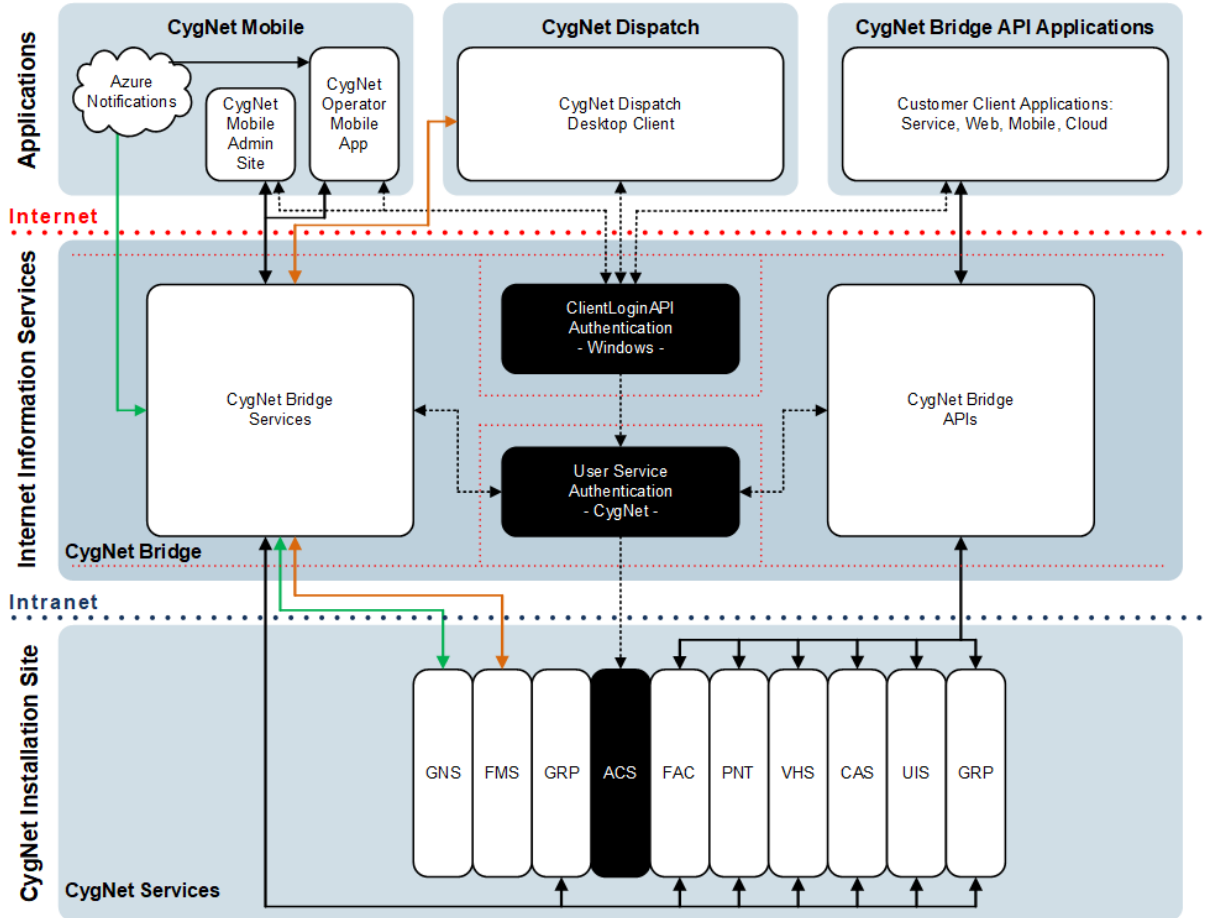
November 2018



WHAT IS CYGNET BRIDGE API?

- New CygNet REST API
- Uses same Bridge service as Operator iOS/Android app & Dispatch
- Can be used for custom web applications with no client install required
- v1 Supports:
 - Point data (realtime values, historical values, and configuration)
 - Facility data
 - Relative facility resolution
 - Group hierarchies
 - Service information







DEMONSTRATION

- Launch a quick website with CygNet data
- Relative facilities
 - Creating a definition
 - Using Bridge to resolve relationships
- New API for Point & Facility property resolution
- Overview of our product documentation and sample application



I DEMO



ROADMAP

- Lots more features we can include
- We want the roadmap to be driven by **you**
- Already working with a beta customer to help drive requirements
- Looking for more interested parties to help influence product direction

DISCUSSION

- How is your enterprise using the web for SCADA today?
- What are you hoping to do in the next few years?
- What web development resources do you have available? In-house? Integrators? Contractors?
- What do you need most out of CygNet Bridge?